



WYLD | 
GEAR | 

WINTER 25/26 PRODUCT CATALOG

WYLD GEAR

Cowboy Approved



WYOMING

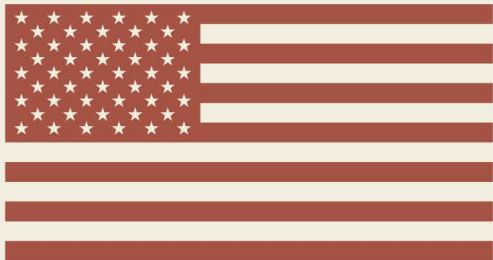
WYLD GEAR IS BUILT ON THE CODE OF THE WEST—WHERE HARD WORK MATTERS, YOUR WORD MEANS SOMETHING, AND PRIDE IS EARNED, NOT CLAIMED. WE BUILD OUR GEAR THE SAME WAY WE LIVE OUR LIVES: NO SHORTCUTS, NO EXCUSES, AND NO ROOM FOR THINGS THAT DON'T HOLD UP. MADE BY THE PEOPLE WHO USE IT AND TRUST IT, OUR GEAR IS MEANT TO WORK HARD, LAST LONG, AND STAND BY YOU THROUGH LONG DAYS, COLD NIGHTS, AND GOOD TIMES EARNED THE RIGHT WAY.



FREEDOM SERIES

TRADITIONAL COOLERS

BUILT THE TRADITIONAL WAY — THICK, TOUGH, AND READY FOR YEARS OF HARD USE. THE FREEDOM SERIES IS OUR TAKE ON THE CLASSIC HARD COOLER, ENGINEERED FOR SERIOUS ICE RETENTION AND BUILT TO HANDLE LIFE ON THE RANCH, THE JOBSITE, OR THE OPEN ROAD. EVERY COOLER IS PROUDLY MADE IN WYOMING, CRAFTED FOR FOLKS WHO WORK HARD, PLAY HARDER, AND BELIEVE IN DOING THINGS THE RIGHT WAY — THE WYLD WAY.



FORGED IN WYOMING | MADE IN THE USA.
LIFETIME WARRANTY



**RUGGED ROTOMOLDED
CONSTRUCTION**



**MOLDED-IN
HANDLES**



**DURA-LATCH
EASY CLOSURE**



**RECESSED INNER
LID DESIGN**



**TWO-STAGE
DRAIN PLUG**



**CERTIFIED TO
BEAT
A GRIZZLY!**

25 QUART EVERYDAY SIDEKICK

Small but mighty. The 25 Quart Freedom Cooler is your go-to for road trips, fishing mornings, and long workdays. Compact, lightweight, and built tougher than it needs to be — this one's made to ride shotgun in your truck or tag along on every adventure.

HELD INDIVIDUALLY



29 LBS ICE

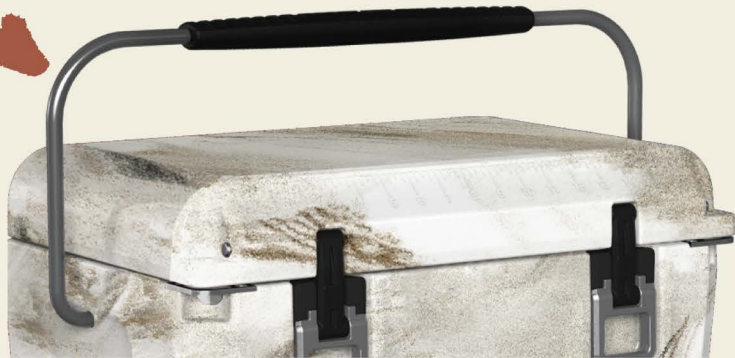


39 CANS



6.25 GAL

TRAILTOTE HANDLE BUILT-IN CARRY SYSTEM



**MADE TO
HANDLE:**



FISHING



OUTDOORS



WORK

**HOLDS ICE
3+ DAYS**

WEIGHT: 23 LBS



RWB



PRAIRIE

16" H



20.25" L

14.25" W

**TOUGHEST
LITTLE COOLER
IN AMERICA.**



GREY



TAN



WHITE

50 QUART WEEKEND WARRIOR

The 50 Quart Freedom Cooler brings the perfect balance of size and muscle. Big enough for a full weekend's worth of food and drinks, yet still easy to load and haul. It's the kind of cooler you can count on — from the jobsite to the lake.

HELD INDIVIDUALLY



58 LBS ICE



77 CANS



12.5 GAL



**MADE TO
HANDLE:**



**TRAVEL
SPORTS**



OVERLANDING



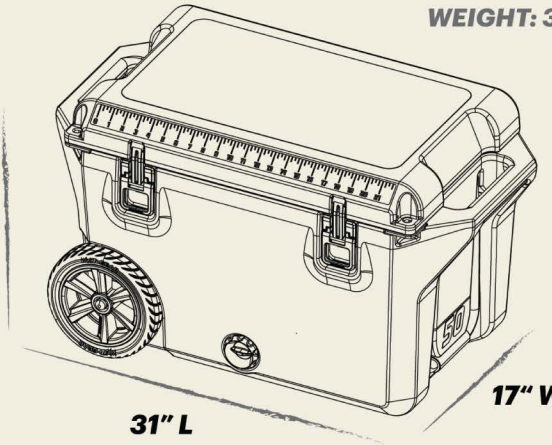
WORK

WEIGHT: 37 LBS



**MAXIMUM COLD.
MINIMAL BULK.**

19" H



31" L

17" W

*Customer
FAVORITE*

**BUILT WITH
NEVER-FLAT,
HEAVY-DUTY
WHEELS.**



RWB



PRAIRIE



GREY



TAN



WHITE



75 QUART HEAVY ROLLER

Meet the 75 Quart Freedom Cooler, built for when the adventure gets serious. Outfitted with never-flat, heavy-duty wheels, this beast hauls the load without breaking your back. Tough, mobile, and ready for any terrain — this one rolls deep.

HELD INDIVIDUALLY



128 LBS ICE



193 CANS



27.5 GAL



GREY



WHITE

MADE TO
HANDLE:



DEER CAMP



FISHING



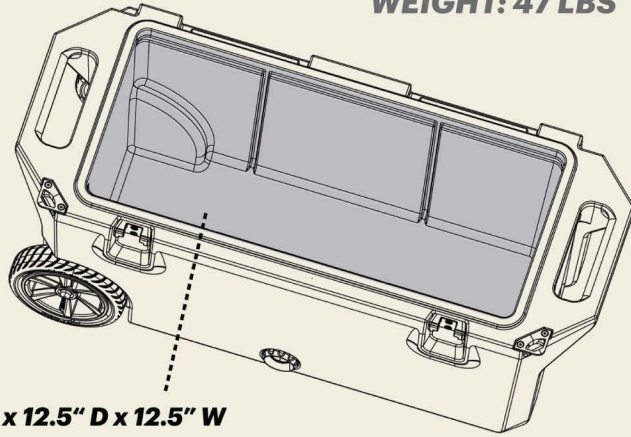
OUTDOORS

TOW & STOW BUILT-IN HANDLE



HOLDS ICE
7+ DAYS

WEIGHT: 47 LBS



30" L x 12.5" D x 12.5" W



FROM THE BACKCOUNTRY TO THE BACKYARD



**HEAVY-LIFT
MOLDED IN
HANDLES**

110 QUART BIG HAUL

The 110 Quart Freedom Cooler is built for the long haul and big groups. When you need maximum ice retention, massive space, and solid never-flat wheels that roll through anything, this is your go-to. Because real freedom means never running out of cold ones.

MADE TO HANDLE:  **BBQ**  **ELK CAMP**  **EVENTS**



GREY



WHITE

HELD INDIVIDUALLY



84 LBS ICE



122 CANS



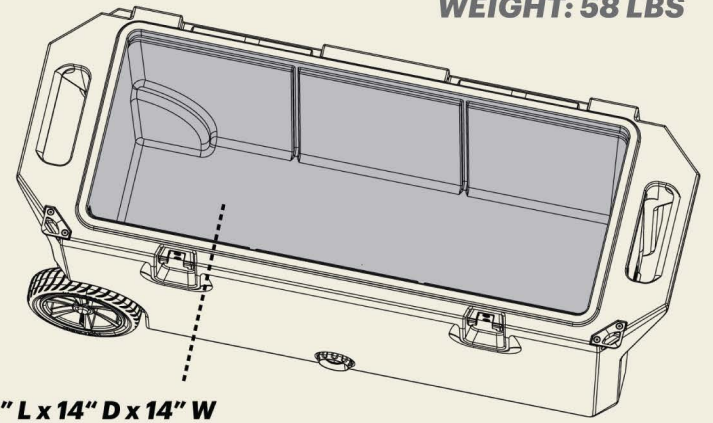
18.75 GAL

RECESSED LID DESIGN FOR EXTRA STORAGE





WEIGHT: 58 LBS



36" L x 14" D x 14" W

**BIG HUNTS,
BIG CAMPS,
BIG GATHERINGS!**



FREEDOM SPLIT SERIES

DUAL-COMPARTMENT

WYLD GEAR'S PATENTED DUAL-COMPARTMENT DESIGN GIVES YOU TWO FULLY INDEPENDENT CHAMBERS IN ONE RUGGED BUILD—PERFECT FOR KEEPING FOOD, DRINKS, BAIT, OR SUPPLIES ORGANIZED AND EASY TO ACCESS. MORE STORAGE CONTROL, LESS DIGGING AROUND, ALL IN A COOLER BUILT TO TAKE A BEATING.

**WYOMING TOUGH
GUARANTEED
FOR LIFE**

LIFETIME WARRANTY



*Customer
FAVORITE*



**SEPARATES YOUR LOADOUT
INTO TWO DEDICATED SPACES.**



**FORGED IN WYOMING
MADE IN THE USA.**

65 QUART 40QT / 25QT DOUBLE DUTY



Meet the 65qt Split Cooler—your all-purpose hauler with a smart 40/25 dual-compartment design built for organized adventures. Two chambers, one tough cooler. Keep meals, drinks, bait, and ice separated for easy access and all-day control. The 65 is the perfect step-up when you need more capacity without giving up mobility.

HELD INDIVIDUALLY



74 LBS ICE



99 CANS



16.25 GAL



BUILT WITH PRIDE



**MADE TO
HANDLE:**



BBQ



CAMPING

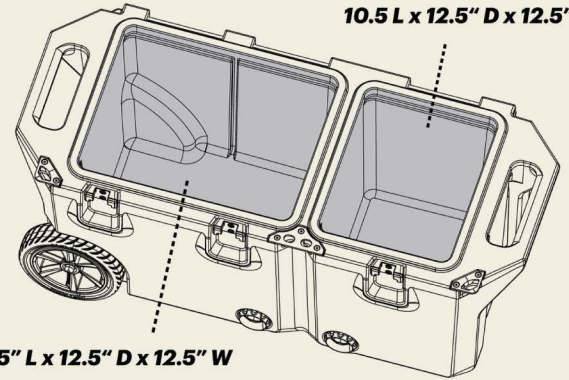


TAILGATE

**KEEP MEAT
ON ONE SIDE,
DRINKS ON
THE OTHER.**

WEIGHT: 49 LBS

10.5 L x 12.5" D x 12.5" W



16.5" L x 12.5" D x 12.5" W

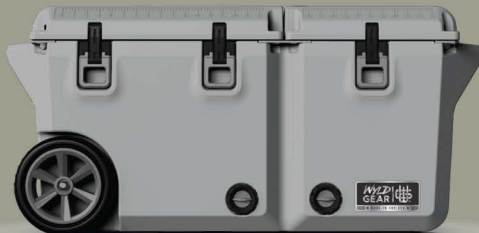
*Customer
FAVORITE*



RWB



PRAIRIE



GREY



TAN



WHITE

90 QUART 60QT / 30QT BIG SPLIT

The 90qt Split Cooler is the heavy-duty workhorse built for long hunts, big camps, and hauling serious loads with a 60/30 split that keeps everything perfectly dialed in. With massive capacity and two independent compartments, the 90 is built for crews that pack big, stay longer, and need the cooler that can truly divide and conquer.

HELD INDIVIDUALLY



97 LBS ICE



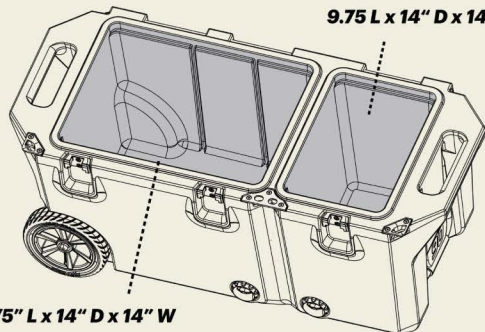
144 CANS



22.5 GAL

WEIGHT: 55 LBS

9.75 L x 14" D x 14" W



19.75" L x 14" D x 14" W



**SMART STORAGE,
RUGGED BUILD**
SERIOUS
COLD CONTROL.



**MADE TO
HANDLE:**



BBQ



CAMPING



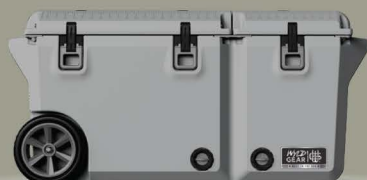
DEER CAMP



RWB



PRAIRIE



GREY



TAN



WHITE



DAZE COOLER

20 & 30 CAN



Meet the 75 Quart Freedom Cooler, built for when the adventure gets serious. Outfitted with never-flat, heavy-duty wheels, this beast hauls the load without breaking your back. Tough, mobile, and ready for any terrain — this one rolls deep.

MADE TO HANDLE:



TRAVEL SPORTS



CAMPING



WORK



COLD STORAGE LID POCKET



WATER RESISTANT STORAGE POCKETS



REINFORCED NYWEB STRAPS



DAZE OF ICE



COLD STORAGE POCKET

Keep items you want cold but dry sandwiches, produce, & treat separated from wet, icy drinks or food.



20 CAN



**HELD INDIVIDUALLY
WEIGHT: 5 LBS**



30 CAN



**HELD INDIVIDUALLY
WEIGHT: 6 LBS**



DAZE BACKPACK

HOLDS ICE
3+ DAYS

Meet the 75 Quart Freedom Cooler, built for when the adventure gets serious. Outfitted with never-flat, heavy-duty wheels, this beast hauls the load without breaking your back. Tough, mobile, and ready for any terrain — this one rolls deep.



WEIGHT: 7 LBS

MADE TO
HANDLE:



TRAVEL
SPORTS



CAMPING



WORK



40
CANS



27
LBS ICE

HELD INDIVIDUALLY



COLD
STORAGE
LID POCKET



WATER
RESISTANT
STORAGE POCKETS



REINFORCED
NYWEB
STRAPS



DAZE
OF ICE

**INTERCHANGEABLE
VELCRO-BACKED
TACTICAL PATCH.**



WYLD GEAR.



DRINKWARE

Everything we make at Wyld Gear is designed with purpose. Our drinkware lineup blends everyday function with dependable performance, creating cups you'll reach for again and again—at home, on the job, or wherever the day takes you.



DRINKWARE COMES BACKED BY OUR

LIFETIME WARRANTY



WYLD CUP

OFFICAL PARTY CUP



18/8
STAINLESS
STEEL



DOUBLE
WALL
VACUUM
INSULATED

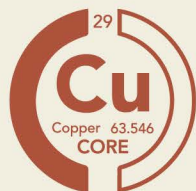


NON-SLIP
GRIP



NO SWEAT
EXTERIOR
GUARANTEE

COPPER
COATED
CORE



KEEPS THE PARTY
ROLLIN', 'CAUSE THE
ICE AIN'T MELTIN'.



WYLD CUP

16oz & 24oz

BBQs to late-night bonfires, the Wyld Cup is built for every good time. Officially the party cup, but tougher, smarter, and fully insulated — keeping your cold drinks icy.

MADE TO HANDLE:



BEER



BBQ



GAME DAY

Customer FAVORITE



RED



BLACK



GREY



NAVY



TEAL



ROYAL BLUE



RWB



RWB



PINK



OD GREEN



SHADOW MOSS



DESERT CAMO



TUMBLERS

THE EVERYDAY WORKHORSE



18/8
STAINLESS
STEEL



DOUBLE
WALL
VACUUM
INSULATED



NON-SLIP
GRIP



NO SWEAT
EXTERIOR
GUARANTEE

NO KEYS, NO TEETH, NO PROBLEM—

BUILT IN
BOTTLE
OPENER



TUMBLERS

20oz & 30oz

From jobsite to campsite, our 20oz and 30oz Wyld Tumblers are built to keep up. Tough enough for a day's work, sleek enough for a night by the fire, and ready to keep your coffee hot or your cold one ice-cold. Wherever you're headed, these tumblers don't just tag along—they lead the way.

**MADE TO
HANDLE:**



COLD OR HOT



OUTDOORS



WORK



RED



BLACK



GREY



NAVY



TEAL



ROYAL BLUE



RWB



WHITE



PINK



OD GREEN



**DESERT
CAMO**



SHADOW MOSS



MULTI-CAN

CAN COOLER



18/8
STAINLESS
STEEL



NON-SLIP
GRIP



NO SWEAT
EXTERIOR
GUARANTEE



DOUBLE
WALL
VACUUM
INSULATED



COPPER
COATED
CORE



**HOLDS
12OZ CANS
PLUS BOTTLES.**



MULTI-CAN

Officially the all-in-one can cooler, but tougher, smarter, and engineered to fit three different can sizes with one seamless swap. Fully insulated to lock in that icy chill, the Multi-Can™ keeps your drinks colder for longer — whether you're sipping a 12oz, cracking a tall boy, or running a sleek seltzer.

MADE TO HANDLE:



BBQ



FISHING



TAILGATE



RED



BLACK



GREY



NAVY



TEAL



ROYAL BLUE



RWB



WHITE



PINK



OD GREEN



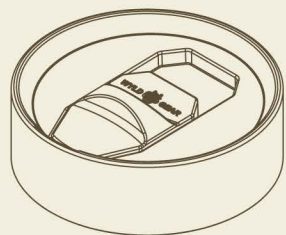
SHADOW MOSS



DESERT CAMO



**BUILT IN
BOTTLE
OPENER**



V-FLOW LID INCLUDED

Not only does this can cooler keep every beverage ice-cold, it also transforms into a tumbler for whatever you're drinking next.

MAG BOTTLE

WATER BOTTLE



18/8
STAINLESS
STEEL



NON-SLIP
GRIP



NO SWEAT
EXTERIOR
GUARANTEE



DOUBLE
WALL
VACUUM
INSULATED



COPPER
COATED
CORE

MAG LID

Customer
FAVORITE

No lid. No twisting. No hassle.

Just slide your slim can in and you're locked and loaded. When it's empty, pull it out and reload—simple as that.



EXTRA LIDS

SOLD SEPARATELY



FITS ALL
MAG
SERIES



BPA
FREE



LID
HANDLE



DISHWASHER
SAFE

MAG BOTTLE

WATER BOTTLES

Crafted from premium 18/8 stainless steel, the MAG Bottle is rust-resistant, BPA-free, and engineered to take the knocks life throws at it. Its double-wall vacuum insulation delivers serious temperature control — keeping cold drinks icy for hours.



OD GREEN



RED



BLACK



GREY



NAVY



TEAL



ROYAL BLUE



**BUILT-IN
CARRYING
HANDLE**



RWB



PINK



DESERT CAMO



SHADOW MOSS

**MADE TO
HANDLE:**



OUTDOORS



WORK



WORKOUT

**BUILT TO
ROAM.
MADE TO
LAST.**

44oz



BLACK



SHADOW MOSS



DESERT CAMO

WYLD CHILD

WATER BOTTLE



18/8
STAINLESS
STEEL



DOUBLE
WALL
VACUUM
INSULATED

COPPER
COATED
CORE



NO SWEAT
EXTERIOR
GUARANTEE



NON-SLIP
GRIP



SIP ON THE GO WITH EASE!

Comes with a leak-resistant
straw lid, ensuring effortless,
mess-free hydration.



GRAB & GO BUILT-IN HANDLE

Makes carrying a breeze,
whether racing through the
playground or heading out
on their next adventure.



WYLD CHILD

WATER BOTTLE

Crafted from premium 18/8 stainless steel, the MAG Bottle is rust-resistant, BPA-free, and engineered to take the knocks life throws at it.

Its double-wall vacuum insulation delivers serious temperature control — keeping cold drinks icy for hours.



← **CUSTOMIZE
ADVENTURE**

Every Wyld Child bottle comes with 9 awesome stickers so kids can make it their own—because no two explorers are the same!



**MADE TO
HANDLE:**



OUTDOORS



SCHOOL



SPORTS

**TOUGH ENOUGH
FOR EVERY
QUEST**



**VIOLET
GARDEN**



**SWEET
GEO**



**SHATER
CAMO**



**SKY
SPLASH**

WYLD SYDE

TRAVEL TUMBLER

STRAW TOPPER

*Stylish Coordination
Plus Contamination
Protection.*

INSULATED STRAW LID

*HELPS RETAIN THE
TEMPERATURE OF
YOUR DRINK.*

ONE-PIECE HANDLE

*Design For Comfort
Durability and
Lasting Performance.*

CUP HOLDER FRIENDLY

*FITS IN MOST
CUP HOLDERS.*



DURABLE STRAW

*SHATTER PROOF
STRAW.*



**18/8
STAINLESS
STEEL**



**NON-SLIP
GRIP**



**NO SWEAT
EXTERIOR
GUARANTEE**



**DOUBLE
WALL
VACUUM
INSULATED**



**COPPER
COATED
CORE**



WYLD SYDE

TRAVEL TUMBLER

Crafted from premium 18/8 stainless steel, the MAG Bottle is rust-resistant, BPA-free, and engineered to take the knocks life throws at it.

Its double-wall vacuum insulation delivers serious temperature control — keeping cold drinks icy for hours.

**MADE TO
HANDLE:**



OUTDOORS



TRAVEL



WORK



GRAPHITE



SLATE



BREEZE



ROSE



MIDNIGHT

*Customer
FAVORITE*



SLIM-CAN

CAN COOLER

EZ-SYLLDER

No lid. No twisting. No hassle.

Just slide your slim can in and you're locked and loaded. When it's empty, pull it out and reload—simple as that.



**18/8
STAINLESS
STEEL**



**NON-SLIP
GRIP**



**NO SWEAT
EXTERIOR
GUARANTEE**



**DOUBLE
WALL
VACUUM
INSULATED**



**COPPER
COATED
CORE**



**BUILT IN
BOTTLE
OPENER**



**MADE TO
HANDLE:**



LAKEDAYS



OUTDOORS



TAILGATE



GREY



DIAMOND

(its got sparkles)



RWB

WINE TUMBLER

Built for campfires, concerts, and nights under the stars. The Wyld Gear Wine Tumbler keeps every sip at the perfect temperature so you can relax and enjoy the moment.



TWILIGHT
(Color-Shift Effect)



MADE TO HANDLE:



CAMPFIRE

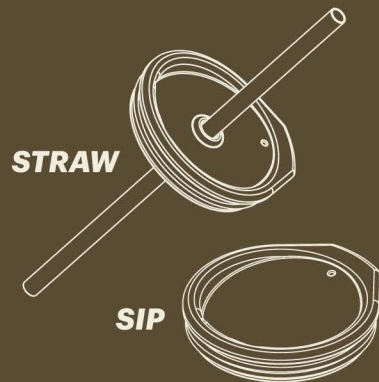


LAKEDAYS



PATIO PARTY

**INCLUDES
TWO
LIDS**



**BLACK
BLACK**



DIAMOND



TIFFANY



PINK

(sparkle with a rainbow-like shimmer.)

CUSTOMIZED DRINKWARE

BRAND IT YOUR WAY

From full-color printing using durable, UV-cured inks built to hold up in real-world conditions, to precision laser etching that delivers a clean, permanent finish, we offer multiple ways to bring your design to life. Every method is chosen to last—not fade, peel, or wear out.

Best of all, we can customize every piece of drinkware we make. Tumblers, bottles, and party cups—all built for real use and ready to carry your logo or design wherever the day takes you.



- **PERFECT FOR TEAMS, COMPANIES, EVENTS, AND GIVEAWAYS.**
- **HIGH-QUALITY DRINKWARE CUSTOMIZED FOR REAL-WORLD USE.**
- **TURN EVERYDAY CUPS INTO LASTING BRAND IMPRESSIONS.**

CUSTOMIZED COOLERS

BRAND IT YOUR WAY

At Wyld Gear, we believe your cooler should be as unique as the adventures you take it on. That's why we offer customization options across both our hard and soft coolers, with long-lasting decoration methods built to hold up to real use—whether for company branding or personal projects.

From direct color printing on cooler lids to custom cooler pads on our hard coolers, we give you multiple ways to make your cooler your own without sacrificing performance. Every customization option is chosen for durability, ensuring your logo or design won't fade, peel, or wear out over time.

Whether you're showcasing a company logo at events, building team pride, or creating a one-of-a-kind gift, Wyld Gear custom coolers are built to make a statement—and keep making it. Designed to withstand the elements, they're ready for tailgates, camping trips, job sites, and long days outdoors.









WINTER 25/26 PRODUCT CATALOG



WYLDGEAR.COM



SUPPORT@WYLDGEAR.COM



877-595-9953